

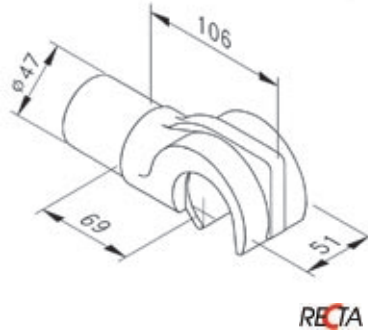
TST25H

Desc.: Snap hook.

Mat.: Aluminium

Finish: Raw

Weight: kg 0.5



RECTA

TST25H



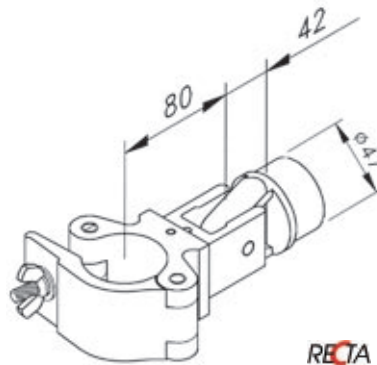
TST27HN

Desc.: Universal supple coupler..

Mat.: Aluminium / zinc plate

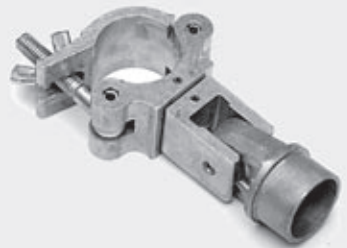
Finish: Raw

Weight: kg 0.8



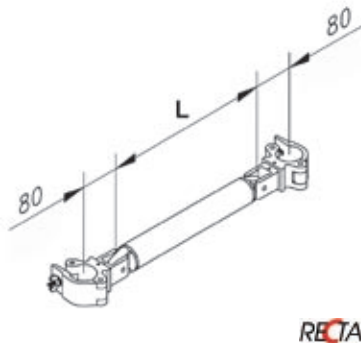
RECTA

TST27HN



TST27HN - Application

Desc.: Use this coupler to reinforce vertical and horizontal splice angles or 2 very long horizontal span, for example, to avoid oscillation and rotation problems. Connection tube until 4 mt length (L - See the draw).



RECTA

Application example



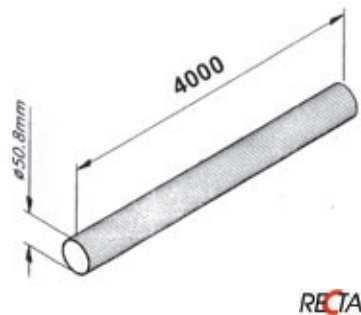
TU5047

Desc.: Reeded tubing Ø 50 mm.
Bar: 4 mt.

Mat.: Aluminium

Finish: Raw

Weight: kg 2.5



RECTA

TU5047



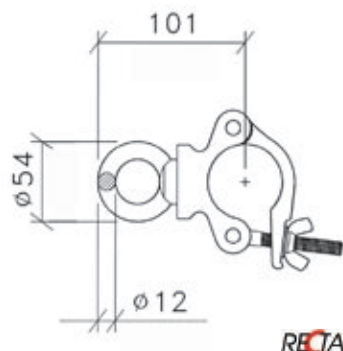
TST28A

Desc.: Half coupler with lifting eye.

Mat.: Aluminium

Finish: Raw

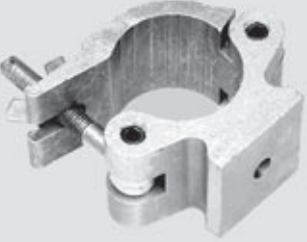
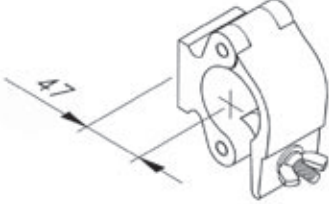

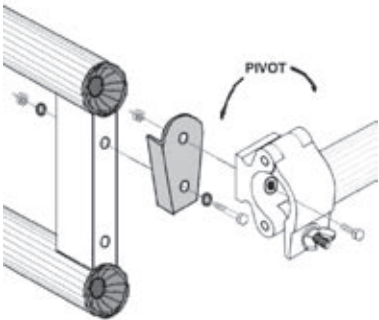

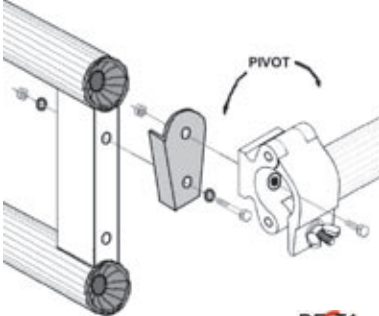

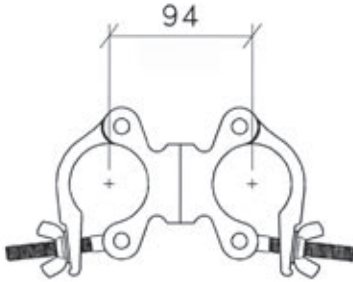

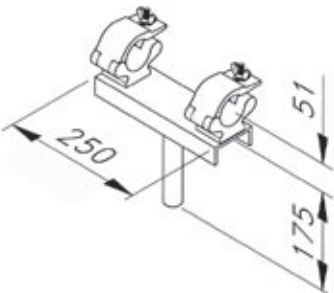
Weight: kg 0.6



RECTA

TST28A



<p>TST28HP</p> 	 <p style="text-align: right;">RECTA</p>	<p>TST28HP</p> <p>Desc.: Half coupler.</p> <p>Mat.: Aluminium</p> <p>Finish: Raw</p> <p>Weight: kg 0.5</p>
<p>TST21H</p> 	 <p style="text-align: right;">RECTA</p>	<p>TST21H</p> <p>Desc.: Mounting plate set with steel/zinc plate bolts included for TST28HP.</p> <p>Mat.: Steel 2.5 mm</p> <p>Finish: Zinc plate</p> <p>Weight: kg 0.25</p>
<p>Application example</p> 	 <p style="text-align: right;">RECTA</p>	<p>TST21H+TST28HP Application</p> <p>Desc.: With the TST28HP+TST21H mounted at the top of the truss you get a connection of anchorage to 90° without damage the end top plate.</p>
<p>TST29H</p> 	 <p style="text-align: right;">RECTA</p>	<p>TST29H</p> <p>Desc.: Swivel double coupler.</p> <p>Mat.: Aluminium</p> <p>Finish: Raw</p> <p>Weight: kg 1.0</p>
<p>TST1000</p> 	 <p style="text-align: right;">RECTA</p>	<p>TST1000</p> <p>Desc.: Telehoist mounting adapter. Suit for tower lifts TTH series with TTH002 adapter included.</p> <p>Mat.: Aluminium</p> <p>Finish: Raw</p> <p>Weight: kg 2.3</p>

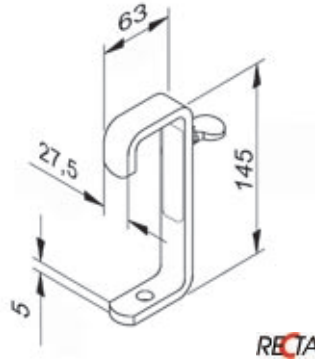
TM1881

Desc.: "G" Clamp for Par lanterns.

Mat.: Steel 5 mm

Finish: Zinc plate

Weight: kg 0.3



RECTA

TM1881



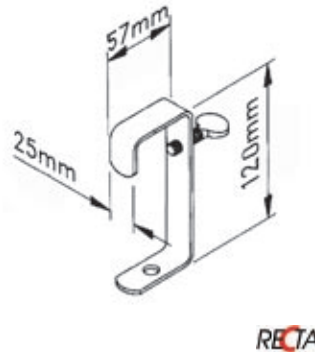
TM1882

Desc.: "G" Clamp for Par lanterns.

Mat.: Steel 3 mm

Finish: Black

Weight: kg 0.18



RECTA

TM1882



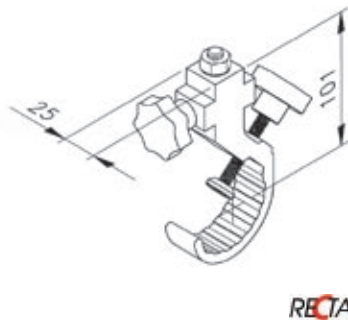
TM1884 - TM1884BK

Desc.: Lantern clamp.

Mat.: Aluminium / steel / zinc plate

Finish: **TM1884** - Raw
TM1884BK - Black

Weight: kg 0.34



RECTA

TM1884BK



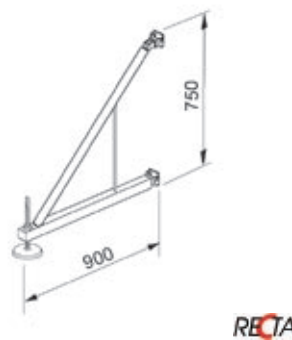
TST25SM

Desc.: Adjustable outrigger leg.

Mat.: Aluminium

Finish: Raw

Weight: Kg 3.5



RECTA

TST25SM



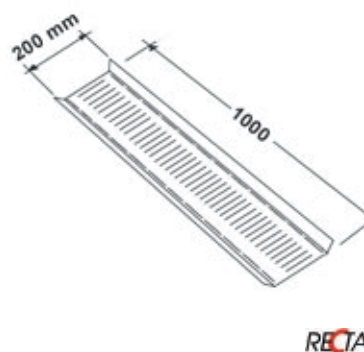
TST25K

Desc.: Suit for housing and masking cables.

Mat.: Aluminium

Finish: Raw


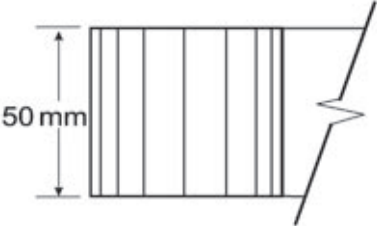

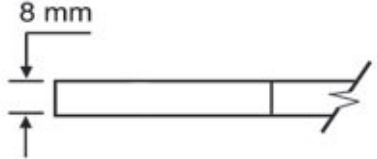

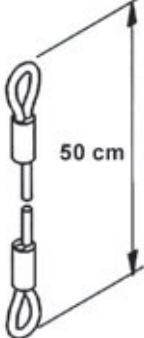



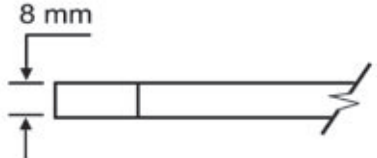
Weight: Kg 0.95



RECTA

TST25K



<p>TST25TR</p> 	 <p>50 mm</p> <p>RECTA</p>	<p>TST-TTT-TSST...25TR</p> <p>Desc.: TST25TR (Picture) Square truss top plate for TST25... TTT25TR Tri truss top plate for TTT25... TSST25TR Single sided truss top plate for TSST25...</p> <p>Mat.: Aluminium</p>
<p>TTT25TC</p> 	 <p>8 mm</p> <p>RECTA</p>	<p>TTT25TC - TST25TC</p> <p>Desc.: TTT25TC (Picture) Tri truss plate for TTT25.. TST25TC Square truss plate for TST25...</p> <p>Mat.: Steel / zinc plate - 8 mm</p>
<p>TM1887S</p> 	 <p>50 cm</p> <p>RECTA</p>	<p>TM1887S - TM1887</p> <p>Desc.: Safety wire for par can.</p> <p>Mat.: TM1887S - Stainless steel Ø2 mm TM1887 - Zinc plate / steel</p> <p>Length: 50 cm</p>
<p>TST25R</p> 	 <p>RECTA</p>	<p>TST25R - TSST25R</p> <p>Desc.: TST25R - Mounting plate set for square truss, 1 piece (Picture)</p> <p>TSST25R - Ladder truss mounting plate set, 2 piece with bolts.</p> <p>Mat.: Aluminium - 10 mm</p>
<p>TST25CR2</p> 	 <p>8 mm</p> <p>RECTA</p>	<p>TTT25CR - TST25CR2</p> <p>Desc.: TTT25CR - Cross hinged plate for tri truss. TST25CR2 - Cross hinge plate for square truss (Picture).</p> <p>Mat.: Steel 8 mm Finish: Zinc plate Weight: TTT25CR = Kg 3 TST25CR2 = Kg 4</p>