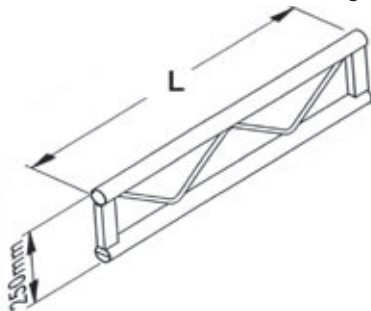


**TSST25...**

Desc.: Ladder truss, standard lengths. Custom lengths available upon request.  
 Mat.: Aluminium  
 Finish: Raw

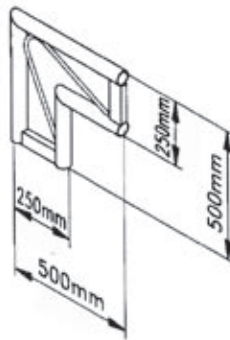
<b>TSST25025</b>	L = cm 25	Weight Kg 0.8
<b>TSST2505</b>	L = cm 50	Weight Kg 1.2
<b>TSST25075</b>	L = cm 75	Weight Kg 1.6
<b>TSST2510</b>	L = cm 100	Weight Kg 1.8
<b>TSST2515</b>	L = cm 150	Weight Kg 2.7
<b>TSST2520</b>	L = cm 200	Weight Kg 3.5
<b>TSST2525</b>	L = cm 250	Weight Kg 4.2
<b>TSST2530</b>	L = cm 300	Weight Kg 4.8
<b>TSST2535</b>	L = cm 350	Weight Kg 5.7
<b>TSST2540</b>	L = cm 400	Weight Kg 6.3



TSST25...

**TSST252H**

Desc.: Ladder truss, 2-way junction.  
 Custom lengths available upon request.  
 Mat.: Aluminium  
 Finish: Raw  
 Weight: kg 1.5

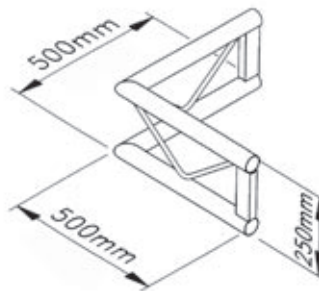


TSST252H



**TSST252V**

Desc.: Ladder truss, 2-way vertical junction. Custom lengths available upon request.  
 Mat.: Aluminium  
 Finish: Raw  
 Weight: kg 1.7

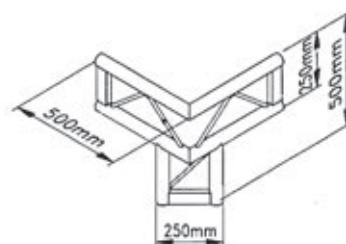


TSST252V




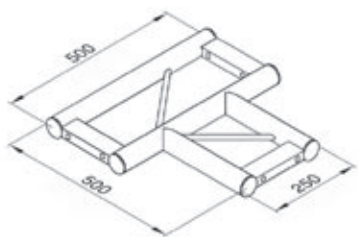

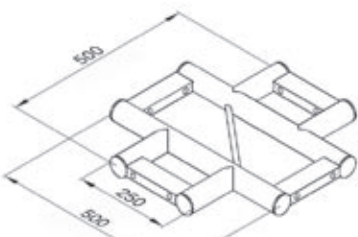

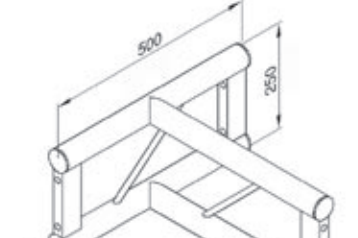

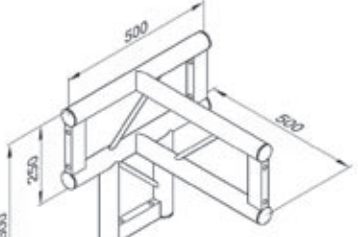

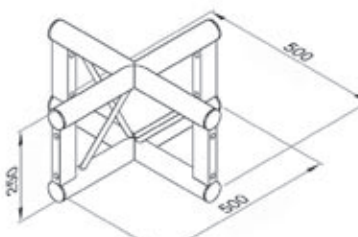
**TSST252VL**

Desc.: Ladder truss, 2-way junction, with leg. Custom lengths available upon request.  
 Mat.: Aluminium  
 Finish: Raw  
 Weight: kg 2.7



TSST252VL



<p><b>TSST253H</b></p> 	 <p style="text-align: right;"><b>RECTA</b></p>	<p><b>TSST253H</b></p> <p>Desc.: Ladder truss, 3-way flat junction. Custom lengths available upon request.</p> <p>Mat.: Aluminium</p> <p>Finish: Raw</p> <p>Weight: kg 1.6</p>
<p><b>TSST254H</b></p> 	 <p style="text-align: right;"><b>RECTA</b></p>	<p><b>TSST254H</b></p> <p>Desc.: Ladder truss, 4-way flat junction. Custom lengths available upon request.</p> <p>Mat.: Aluminium</p> <p>Finish: Raw</p> <p>Weight: kg 1.8</p>
<p><b>TSST253V</b></p> 	 <p style="text-align: right;"><b>RECTA</b></p>	<p><b>TSST253V</b></p> <p>Desc.: Ladder truss, 3-way vertical junction. Custom lengths available upon request.</p> <p>Mat.: Aluminium</p> <p>Finish: Raw</p> <p>Weight: kg 1.8</p>
<p><b>TSST253VL</b></p> 	 <p style="text-align: right;"><b>RECTA</b></p>	<p><b>TSST253VL</b></p> <p>Desc.: Ladder truss, 3-way vertical junction with leg. Custom lengths available upon request.</p> <p>Mat.: Aluminium</p> <p>Finish: Raw</p> <p>Weight: kg 2.4</p>
<p><b>TSST254V</b></p> 	 <p style="text-align: right;"><b>RECTA</b></p>	<p><b>TSST254V</b></p> <p>Desc.: Ladder truss, 4-way vertical junction. Custom lengths available upon request.</p> <p>Mat.: Aluminium</p> <p>Finish: Raw</p> <p>Weight: kg 2.1</p>

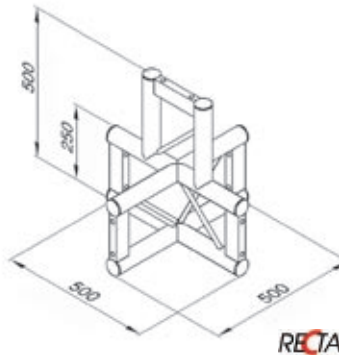
**TSST254VL**

Desc.: Ladder truss, 4-way vertical junction with leg. Custom lengths available upon request.

Mat.: Aluminium

Finish: Raw

Weight: kg 2.7



TSST254VL



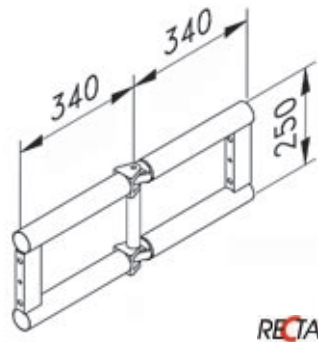
**TSST25VAC**

Desc.: Ladder truss variable junction.

Mat.: Aluminium

Finish: Raw

Weight: kg 2.2



TSST25VAC



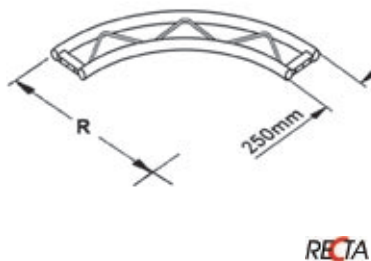
**TSSTR1R...**

Desc.: Radius ladder truss.  
R = specify radius required.

Mat.: Aluminium

Finish: Raw

Weight: kg 1.8 /ml



TSSTR1R...



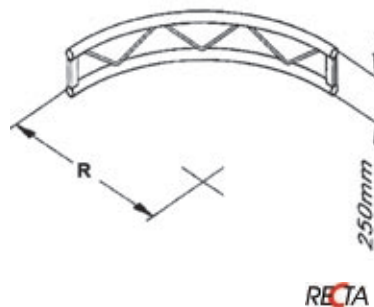
**TSSTR2R...**

Desc.: Radius vertical ladder truss.  
R = specify radius required.

Mat.: Aluminium

Finish: Raw

Weight: kg 1.8 /ml



TSSTR2R...



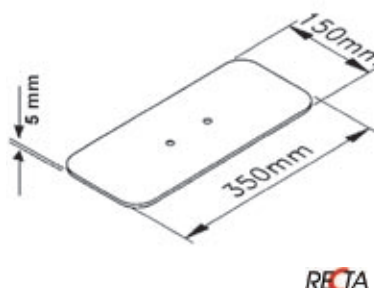
**TSST25FB**

Desc.: Ladder truss flat base

Mat.: Aluminium

Finish: Raw

Weight: kg 0.3



TSST25FB

