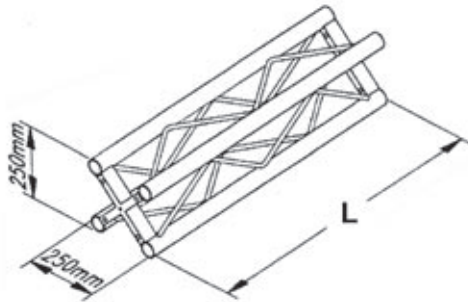


**TST25...**

Desc.: Square truss standard lengths: 250 mm side. Custom lengths available upon request.  
 Mat.: Aluminium  
 Finish: Raw

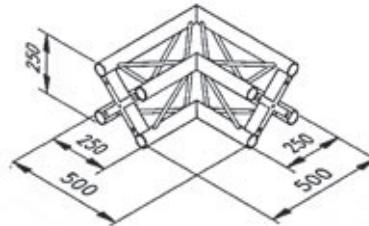
<b>TST25025</b>	L = cm 25	Weight Kg 1.8
<b>TST2505</b>	L = cm 50	Weight Kg 2.8
<b>TST25075</b>	L = cm 75	Weight Kg 3.3
<b>TST2510</b>	L = cm 100	Weight Kg 4.6
<b>TST2515</b>	L = cm 150	Weight Kg 6.5
<b>TST2520</b>	L = cm 200	Weight Kg 8.0
<b>TST2525</b>	L = cm 250	Weight Kg 8.8
<b>TST2530</b>	L = cm 300	Weight Kg 10.8
<b>TST2535</b>	L = cm 350	Weight Kg 12.8
<b>TST2540</b>	L = cm 400	Weight Kg 14.1



TST25...

**TST252**

Desc.: 2-Way junction. Custom lengths and angles available upon request.  
 Mat.: Aluminium  
 Finish: Raw  
 Weight: kg 3.5

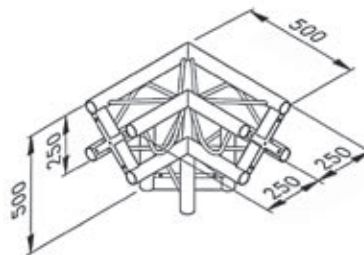


TST252



**TST252L**

Desc.: 2-Way junction with leg. Custom lengths & angles available upon request.  
 Mat.: Aluminium  
 Finish: Raw  
 Weight: kg 4.9

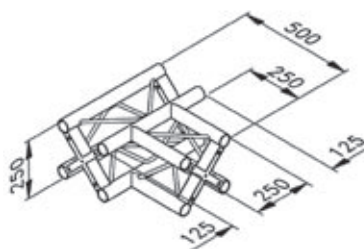


TST252L



**TST253**

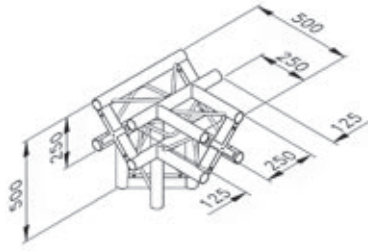
Desc.: 3-Way junction. Custom lengths & angles available upon request.  
 Mat.: Aluminium  
 Finish: Raw  
 Weight: kg 3.9



TST253



**TST253L**



**TST253L**

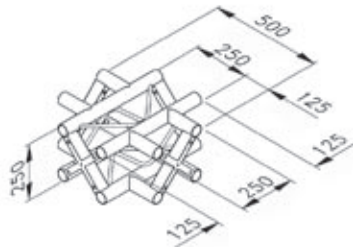
Desc.: 3-Way junction with leg. Custom lengths & angles available upon request

Mat.: Aluminium

Finish: Raw

Weight: kg 5.3

**TST254**



**TST254**

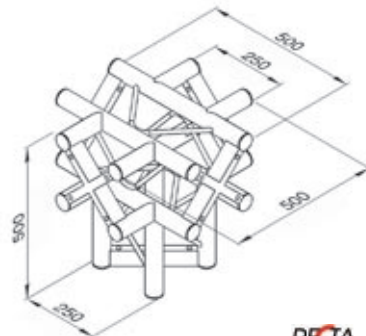
Desc.: 4-Way junction. Custom lengths & angles available upon request

Mat.: Aluminium

Finish: Raw

Weight: kg 4.5

**TST254L**



**TST254L**

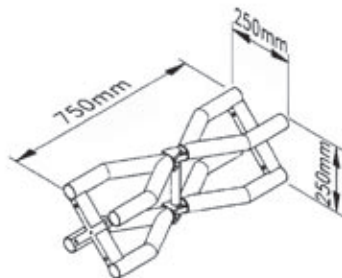
Desc.: 4-Way junction with leg. Custom lengths & angles available upon request.

Mat.: Aluminium

Finish: Raw

Weight: kg 6.1

**TST25VAC**



**TST25VAC**

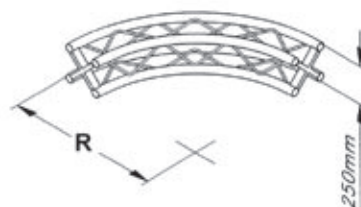
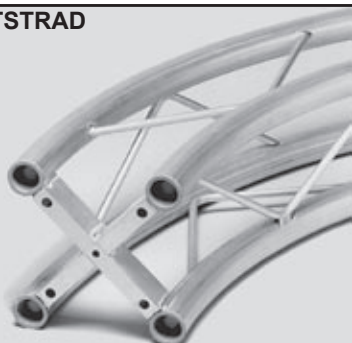
Desc.: Square truss variable junction.

Mat.: Aluminium

Finish: Raw

Weight: Kg 4.2

**TSTRAD**



**TSTRAD**

Desc.: Square truss radius.  
R = Specify radius required

Mat.: Aluminium

Finish: Raw

Weight: Kg 4.9 / ml

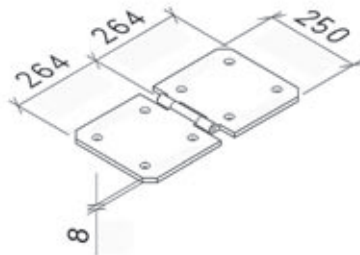
## TST25CR

Desc.: Square truss hinged plate.

Mat.: Steel 8 mm

Finish : Zinc plate

Weight: Kg 8,3



FIXING HOLES Ø 11 mm

TST25CR



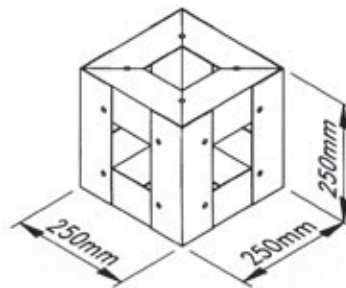
## TST250M

Desc.: 6-way joiner.

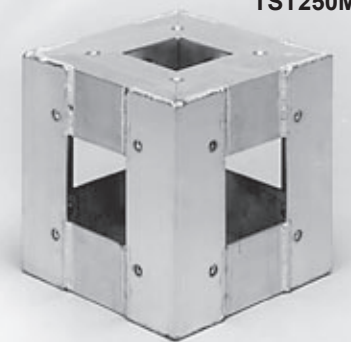
Mat.: Aluminium

Finish: Raw

Weight: Kg 3.7



TST250M



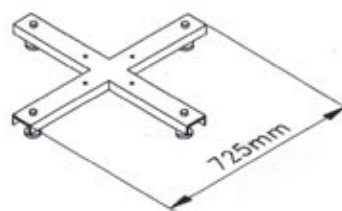
## TST25BF

Desc.: Base plate with adjustable feet.

Mat.: Aluminium

Finish: Raw

Weight: kg 2.6



TST25BF



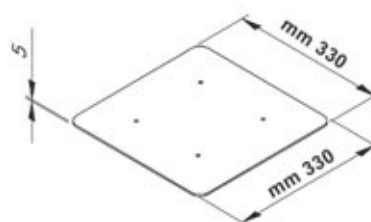
## TST25FB

Desc.: Square truss flat base.

Mat.: Aluminium

Finish: Raw

Weight: kg 1.2



TST25FB



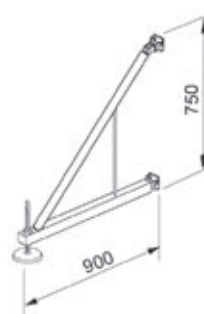
## TST25SM

Desc.: Adjustable outrigger leg.

Mat.: Aluminium

Finish: Raw

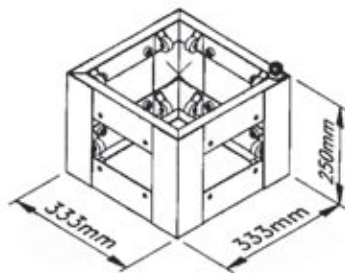
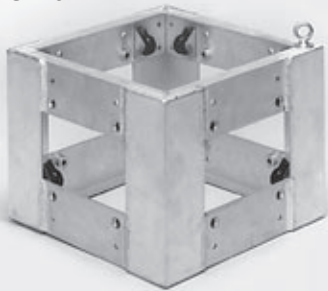
Weight: Kg 3.5



TST25SM



TST25C



RECTA

**TST25C**

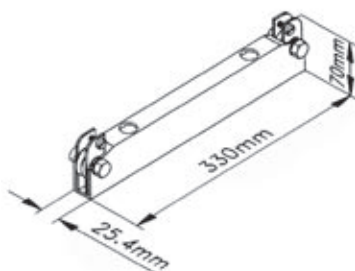
Desc.: Winch carriage with lifting eyebolt and internal roller guides.

Mat.: Aluminium

Finish: Raw

Weight: Kg 4.3

TST25P



RECTA

**TST25P**

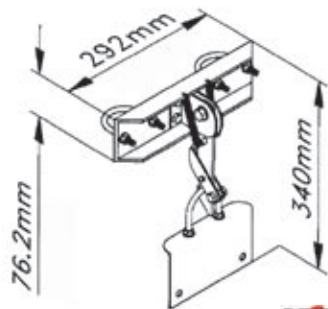
Desc.: Winch top plate with cable guide and wheels.

Mat.: Aluminium

Finish: Raw

Weight: Kg 0.8

TST25SL



RECTA

**TST25SL**

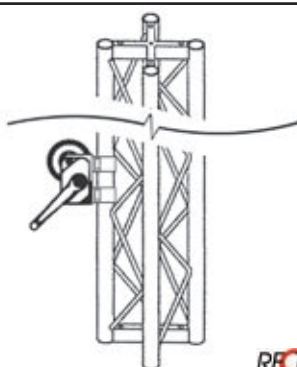
Desc.: Safety latch.

Mat.: Aluminium / steel

Finish: Raw / zinc plate

Weight: Kg 1.2

TST25W5I



RECTA

**TST25W5I**

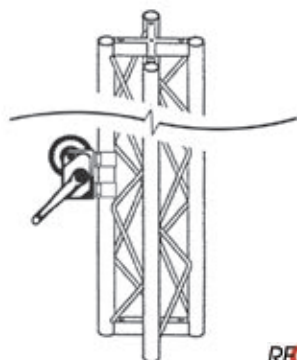
Desc.: Manual winch. Capacity: Kg 500.

Mat.: Steel

Finish: Zinc plate

Weight: Kg 5,7

TST25W5K



RECTA

**TST25W5K**

Desc.: Brake winch. Capacity: Kg 650.

Mat.: Steel

Finish: Zinc plate

Weight: Kg 8