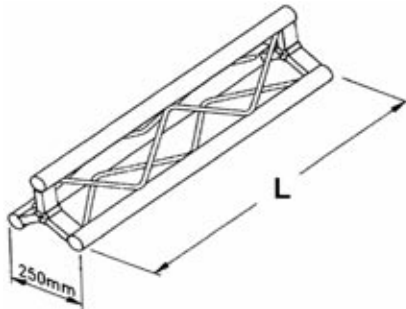


TTT25...

Desc.: Tri truss, standard lengths. Custom lengths available upon request.
 Mat.: Aluminium
 Finish: Raw

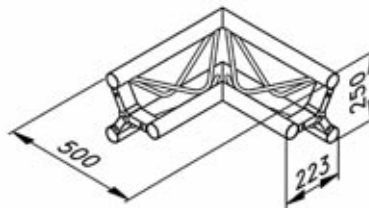
TTT25025	L = cm 25	Weight Kg	1.5
TTT2505	L = cm 50	Weight Kg	2.2
TTT25075	L = cm 75	Weight Kg	2.6
TTT2510	L = cm 100	Weight Kg	3.5
TTT2515	L = cm 150	Weight Kg	4.7
TTT2520	L = cm 200	Weight Kg	5.9
TTT2525	L = cm 250	Weight Kg	7.2
TTT2530	L = cm 300	Weight Kg	8.4
TTT2535	L = cm 350	Weight Kg	9.7
TTT2540	L = cm 400	Weight Kg	11.2



TTT250...

TTT252A

Desc.: Tri truss 2-way junction (apex in). Custom lengths & angles available upon request
 Mat.: Aluminium
 Finish: Raw
 Weight: kg 2.5

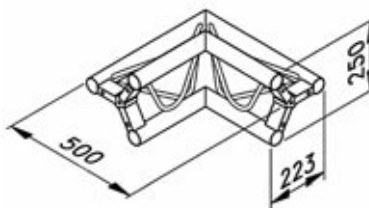


TTT252A



TTT252V

Desc.: Tri truss 2-way junction (apex out). Custom lengths & angles available upon request
 Mat.: Aluminium
 Finish: Raw
 Weight: kg 2.5

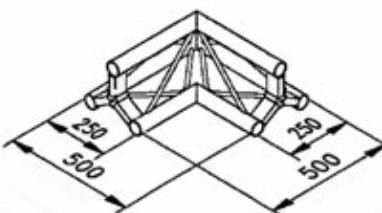


TTT252V



TTT252H

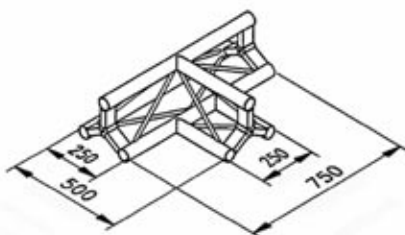
Desc.: Tri truss 2-way junction. Custom lengths & angles available upon request.
 Mat.: Aluminium
 Finish: Raw
 Weight: Kg 2.8



TTT252H



TTT253V



RECTA

TTT253V

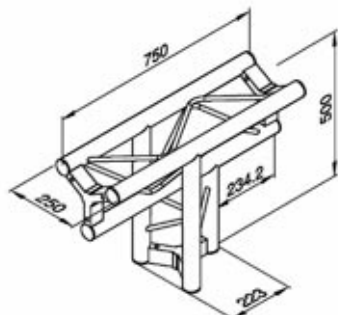
Desc.: Tri truss 3-way junction.
Custom lengths & angles available upon request.

Mat.: Aluminium

Finish: Raw

Weight: Kg 3.8

TTT253A



RECTA

TTT253A

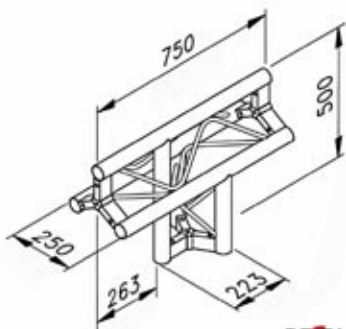
Desc.: Tri truss 3-way junction, apex down. Custom lengths & angles available upon request.

Mat.: Aluminium

Finish: Raw

Weight: Kg 4

TTT253T



RECTA

TTT253T

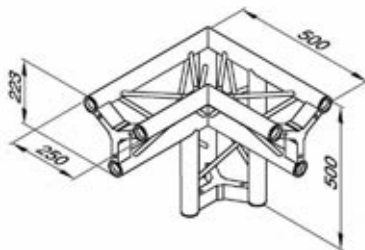
Desc.: Tri truss "T" junction.
Custom lengths & angles available upon request.

Mat.: Aluminium

Finish: Raw

Weight: Kg 3.8

TTT252AR



RECTA

TTT252AR

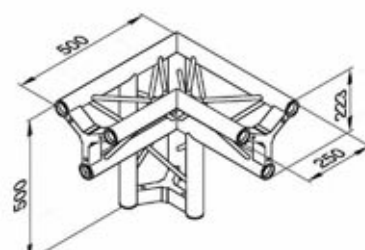
Desc.: Tri truss 2-way junction, apex down, with leg (right). Custom lengths & angles available upon request.

Mat.: Aluminium

Finish: Raw

Weight: Kg 4.1

TTT252AL



RECTA

TTT252AL

Desc.: Tri truss 2-way junction, apex down, with leg (left). Custom lengths & angles available upon request.

Mat.: Aluminium

Finish: Raw

Weight: Kg 4.1

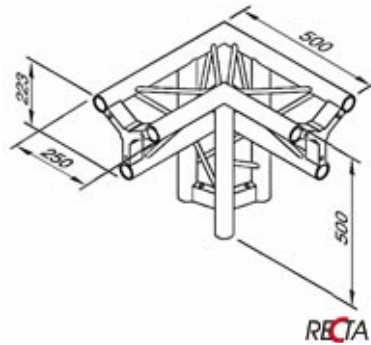
TTT252AS

Desc.: Tri truss 2-way junction with leg, apex up. Custom lengths & angles available upon request.

Mat.: Aluminium

Finish: Raw

Weight: Kg 3.8



TTT252AS



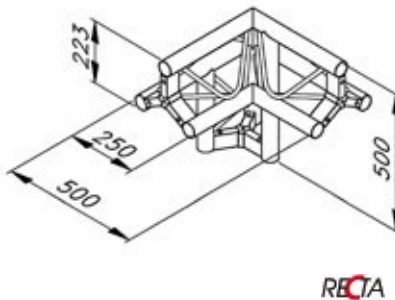
TTT252HL

Desc.: Tri truss 2-way junction with leg (left), apex up. Custom lengths & angles available upon request.

Mat.: Aluminium

Finish: Raw

Weight: Kg 3.8



TTT252HL



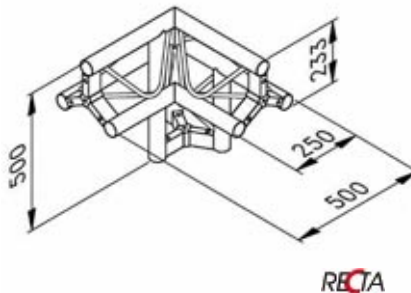
TTT252HR

Desc.: Tri truss 2-way junction with leg (right), apex up. Custom lengths & angles available upon request.

Mat.: Aluminium

Finish: Raw

Weight: Kg 3.8



TTT252HR



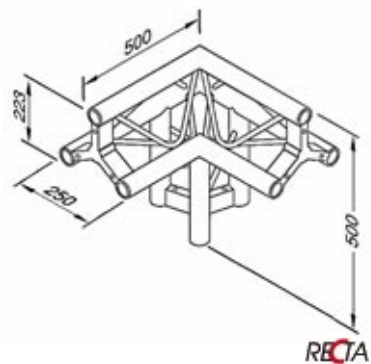
TTT252HS

Desc.: Tri truss 2-way junction with leg, apex up. Custom lengths & angles available upon request.

Mat.: Aluminium

Finish: Raw

Weight: Kg 3.8



TTT252HS



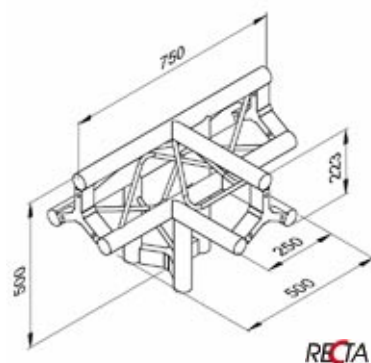
TTT253HL

Desc.: Tri truss 3-way junction with leg (left), apex up. Custom lengths & angles available upon request.

Mat.: Aluminium

Finish: Raw

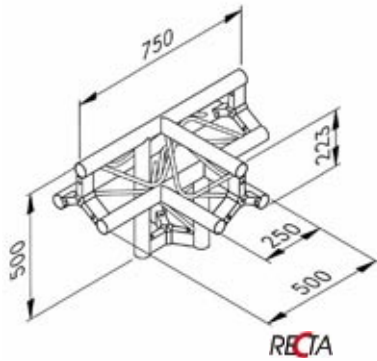
Weight: Kg 4



TTT253HL



TTT253HR



TTT253HR

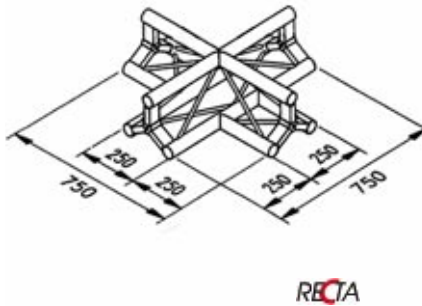
Desc.: Tri truss 3-way junction with leg (right), apex up. Custom lengths & angles available upon request.

Mat.: Aluminium

Finish: Raw

Weight: Kg 4

TTT254H



TTT254H

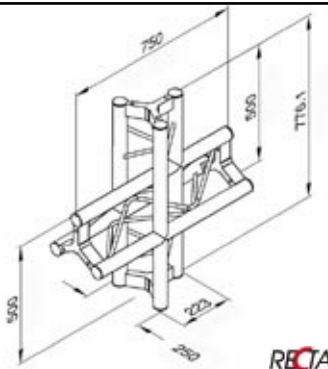
Desc.: Tri truss 4-way junction. Custom lengths & angles available upon request.

Mat.: Aluminium

Finish: Raw

Weight: Kg 4.9

TTT254V



TTT254V

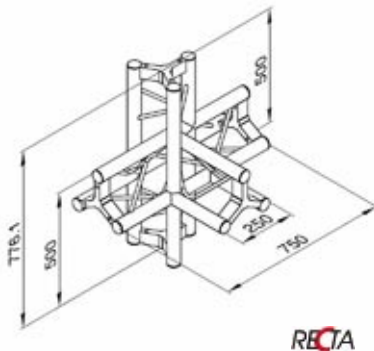
Desc.: Tri truss 4-way junction, vertical. Custom lengths & angles available upon request.

Mat.: Aluminium

Finish: Raw

Weight: kg 5.2

TTT253LL



TTT253LL

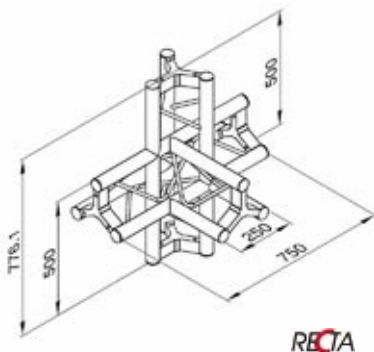
Desc.: Tri truss 3-way junction, leg up, leg down - left. Custom lengths & angles available upon request.

Mat.: Aluminium

Finish: Raw

Weight: Kg 6.2

TTT253RR



TTT253RR

Desc.: Tri truss 3-way junction, leg up, leg down - right. Custom lengths & angles available upon request.

Mat.: Aluminium

Finish: Raw

Weight: Kg 6.2

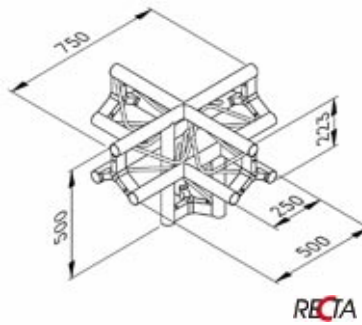
TTT254HL

Desc.: Tri truss 4-way junction with leg.
Custom lengths & angles available upon request.

Mat.: Aluminium

Finish: Raw

Weight: kg 6.2



TTT254HL



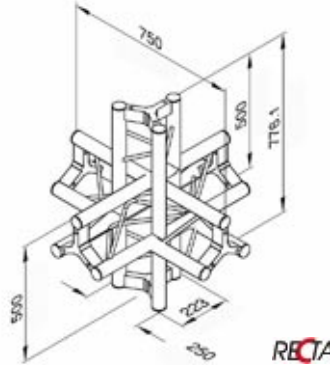
TTT254LL

Desc.: Tri truss 4-way junction, leg up, apex down. Custom lengths & angles available upon request.

Mat.: Aluminium

Finish: Raw

Weight: kg 7.5



TTT254LL



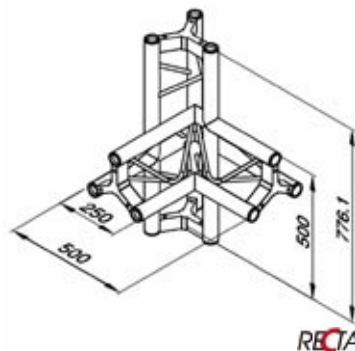
TTT252LL

Desc.: Tri Truss 2-way Junction, Leg Up, Leg Down - Left. Custom lengths & angles available upon request.

Material: Aluminium

Finish: Raw

Weight: 5.2



TTT252LL



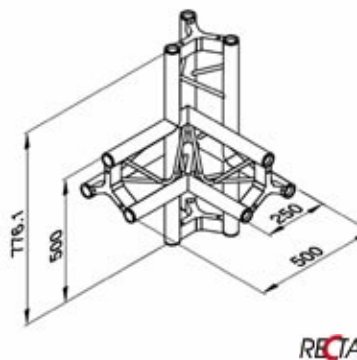
TTT252RR

Desc.: Tri Truss 2-way Junction, Leg Up, Leg Down - Right. Custom lengths & angles available upon request.

Material: Aluminium

Finish: Raw

Weight: 5.2



TTT252RR



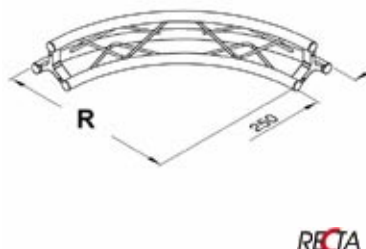
TTTR1R...

Desc.: Tri truss radius, apex up/down.
R = specify radius required

Mat.: Aluminium

Finish: Raw

Weight: kg 3.3 /ml



TTTR1R...



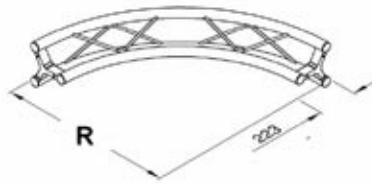
TTTR2R...

Desc.: Tri truss radius, apex in.
R = specify radius required

Mat.: Aluminium

Finish: Raw

Weight: kg 3.3 /ml



RECTA

TTTR2R...



TTTR3R...

Desc.: Tri truss radius, apex out.
R = specify radius required

Mat.: Aluminium

Finish: Raw

Weight: kg 3.3 /ml



RECTA

TTTR3R...



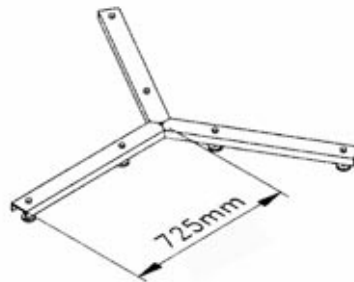
TTT25BP

Desc.: Tri truss base plate with adjustable feet.

Mat.: Aluminium

Finish: Raw

Weight: kg 3.8



RECTA

TTT25BP



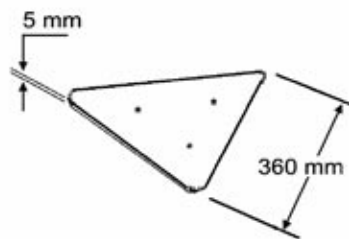
TTT255V

Desc.: Tri truss flat base.

Mat.: Aluminium

Finish: Raw

Weight: kg 0.6



RECTA

TTT255V

